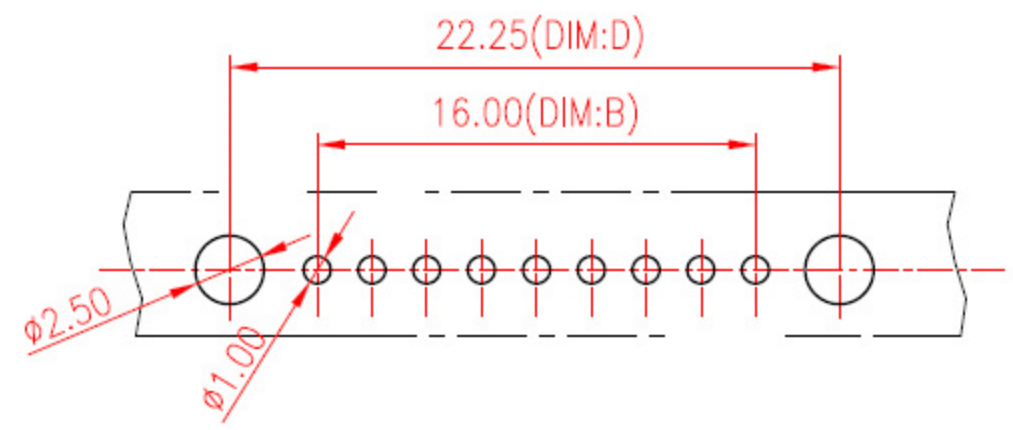
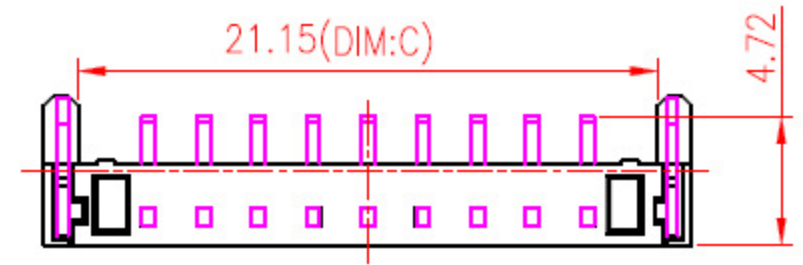
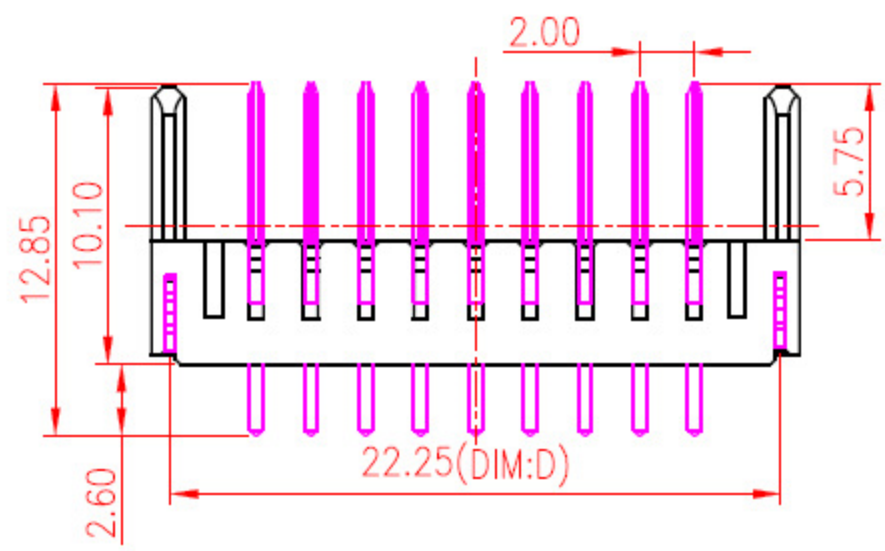
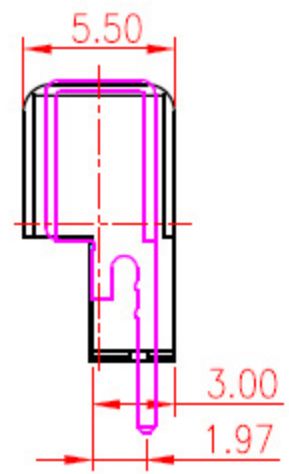
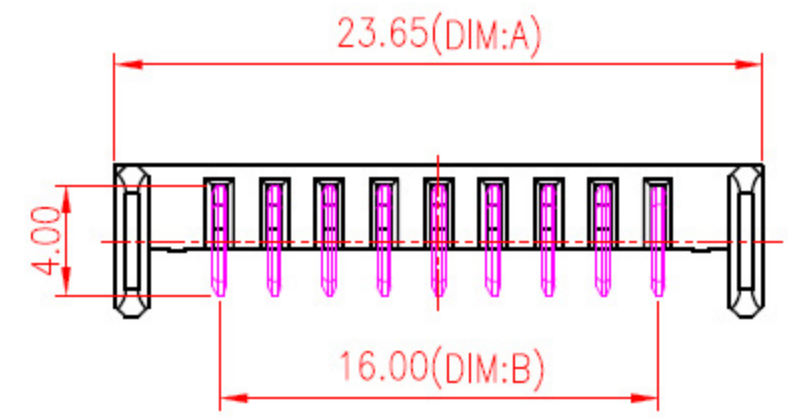


REV.	ECN NO.	DESCRIPTION	DESIGN	DATE
A		INITIAL	Kai	2018.03.29



No:of pins	Dimension			
	DIM.A	DIM.B	DIM.C	DIM.D
03	11.65	4.00	9.15	10.25
04	13.65	6.00	11.15	12.25
05	15.65	8.00	13.15	14.25
06	17.65	10.00	15.15	16.25
07	19.65	12.00	17.15	18.25
08	21.65	14.00	19.15	20.25
09	23.65	16.00	21.15	22.25
10	25.65	18.00	23.15	24.25
11	27.65	20.00	25.15	26.25
12	29.65	22.00	27.15	28.25

NOTE:
Material
Insulator:Nylon 9T(UL94V-0)
Contact:phosphor Bronze
Contact Plated:Gold over Nickel or Tin
Specification
Rated voltage: 12V 30V
Current rating: 3A 5A
instant CURRENT:7A
Contact Resistance:30M Ω
Insulation Resistance:100M Ω
Dielectric Voltage:1000V
Operdting Temperature:-40 $^{\circ}$ ~105 $^{\circ}$

Recommended P.C.B Layout

UNLESS OTHERWISE SPECIFIED TOLERANCES				东莞市高迪电子有限公司			
DECIMALS:		ANGLES:		DWG NO.	PART NAME:		
DIM	TOL	DIM	TOL	DESIGN:	PART NO.		
X.	± 0.50	X.	$\pm 2^{\circ}$	CHECK:	REV. UNIT: SHEET:		
X.X	± 0.30	X.X	$\pm 1^{\circ}$	APPROVED	A	mm	1/1
X.XX	± 0.20	X.XX					
X.XXX	± 0.10	X.XXX					

ITEM	PART NAME	Q'TY	MATERTAL	DESCRIPTION	REMARK
②	HOUSING	1	LCP		BLACK
①	CONTACT A	2	PHOSPHOR BRONZE 0.20T	Au PLATED	